

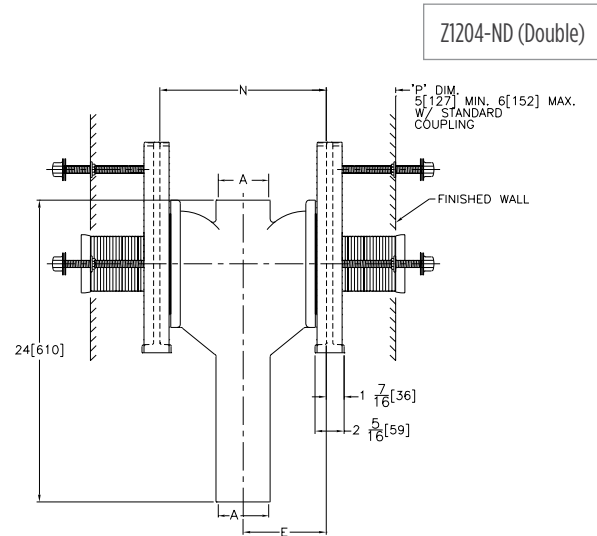
## Z1204-N ADJUSTABLE VERTICAL SIPHON JET – NO-HUB SERIES

PREFIXES	DESCRIPTION	SINGLE	DOUBLE
<b>Z1204*</b>	D.C.C.I. System with 4" Adjustable Coupling		<b>Combine with Fitting Type for Pricing</b>
<b>ZQ1204</b>	D.C.C.I. System with NPT Faceplate Non-Adjustable Coupling		
FITTING TYPE			
<b>-N4</b>	4" No-Hub Stack, Single Inlet, 2" Right-Hand Vent	<b>1,795.00</b>	-
<b>-ND4</b>	4" No-Hub Stack, Double Inlet, 2" Vent	-	<b>3,175.00</b>
<b>-1NL4</b>	4" No-Hub Stack, Single Inlet, (1) 4" Left-Hand Side Inlet, 2" Left-Hand Vent	<b>2,105.00</b>	-
<b>-1NR4</b>	4" No-Hub Stack, Single Inlet, (1) 4" Right-Hand Side Inlet, 2" Right-Hand Vent	<b>2,105.00</b>	-
<b>-1NL43</b>	4" No-Hub Stack, Single Inlet, (1) 3" Left-Hand Side Inlet, 2" Left-Hand Vent	<b>2,105.00</b>	-
<b>-1NR43</b>	4" No-Hub Stack, Single Inlet, (1) 3" Right-Hand Side Inlet, 2" Right-Hand Vent	<b>2,105.00</b>	-
<b>-1ND4</b>	4" No-Hub Stack, Double Inlet, (1) 4" Side Inlet, 2" Vent	-	<b>3,472.00</b>
<b>-1ND43</b>	4" No-Hub Stack, Double Inlet, (1) 3" Side Inlet, 2" Vent	-	<b>3,472.00</b>
<b>-2N4</b>	4" No-Hub Stack, Single Inlet, (2) 4" Side Inlets, 2" Right-Hand Vent	<b>2,409.00</b>	-
<b>-2N43</b>	4" No-Hub Stack, Single Inlet, (2) 3" Side Inlets, 2" Right-Hand Vent	<b>2,409.00</b>	-
<b>-2ND4</b>	4" No-Hub Stack, Double Inlets, (2) 4" Side Inlets, 2" Vent	-	<b>3,780.00</b>
<b>-2ND43</b>	4" No-Hub Stack, Double Inlets, (2) 3" Side Inlets, 2" Vent	-	<b>3,780.00</b>

SUFFIXES	DESCRIPTION	SINGLE	DOUBLE
<b>-A</b>	Auxiliary Support Assembly (Required For P-Dim. Greater than 18")	<b>861.00</b>	<b>1,720.00</b>
<b>-B</b>	Blowout Type Fixture Support	<b>N/C</b>	<b>N/C</b>
<b>-CC</b>	Corrosion Resistant Cast Iron Coupling (6" to 12")	<b>N/C</b>	<b>N/C</b>
<b>-CL</b>	Custom Length greater than 12"- Per Inch (Specify Length)	<b>102.00</b>	<b>203.00</b>
<b>-JJ</b>	Two 2" Auxiliary Inlets	<b>724.00</b>	<b>724.00</b>
<b>-JL</b>	2" Left-Hand Auxiliary Inlet	<b>365.00</b>	<b>365.00</b>
<b>-JR</b>	2" Right-Hand Auxiliary Inlet	<b>365.00</b>	<b>365.00</b>
<b>-M</b>	Auxiliary Foot Support (Required For P-Dim. 10" thru 18")	<b>324.00</b>	<b>645.00</b>
<b>-VP</b>	Vandal-Proof Trim	<b>137.00</b>	<b>270.00</b>
<b>-X3</b>	3" Foot Extension Assembly	<b>90.00</b>	<b>176.00</b>
<b>-X4</b>	4" Foot Extension Assembly	<b>115.00</b>	<b>227.00</b>
Ⓢ <b>-45</b>	Finishing Frame for Siphon Jet System (For Blowout System specify -45-B)	<b>84.00</b>	<b>167.00</b>
Ⓢ <b>-50</b>	Flush Valve Supply Support for Water Closet (Previously Z1210-50)	<b>90.00</b>	<b>176.00</b>

		DEDUCT	
<b>-F</b>	Floor Mounted, Back Outlet Fixture Support	<b>-158.00</b>	<b>-315.00</b>

BEST SELLERS	LIST PRICE
Z1204-1-ND4	<b>3,472.00</b>
Z1204-1-NL4	<b>2,105.00</b>
Z1204-N4	<b>1,795.00</b>
Z1204-ND4	<b>3,175.00</b>

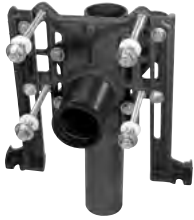


Items designated as Best Sellers are most specified and are generally in stock for shipment.  
 Ⓢ This symbol denotes a product that is engineered to reduce installation and rework time.  
 For Additional System Tools See "Z1200 Carrier Tools and Accessories" on page 214

\*Regularly furnished unless otherwise specified.  
 For additional product information, please visit [www.zurn.com](http://www.zurn.com)

INTRO  
 ROOF DRAINS  
 FLOOR DRAINS  
 T, P, BW VALVES  
 INTERCEPTORS  
 CARRIERS  
 HYDRANTS  
 CLEANOUTS  
 W/H  
 SS DRAINS  
 FAB SS DRAINS  
 SANI-FLOOR  
 TECH INFO

# Z1204-N ADJUSTABLE VERTICAL SIPHON JET – NO-HUB SERIES



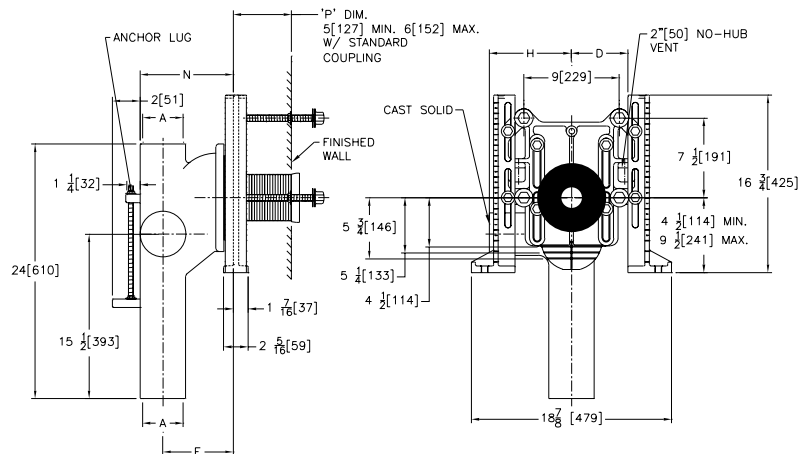
## ENGINEERING SPECIFICATION

Zurn Z1204-( ) adjustable, vertical siphon jet water closet provides rigid system with ( ) size no-hub connections and ( ) side inlets. Comes complete with Dura-Coated cast iron, right-hand, left-hand, or double main fitting, 2" vent, adjustable, gasketed faceplate, universal floor mounted foot supports, corrosion resistant, adjustable polymer coupling with integral test cap, fixture bolts, trim and stud protectors. Includes rear anchor tie down and bonded Neo-Seal gasket.

## NOTES

1. Minimum "P" dimension obtainable = 2".
2. 2" no-hub vent connection regularly furnished on right-hand side. Left hand available when specified (Suffix-VL).
3. Auxiliary inlet available right (-JR) or left (-JL) or both sides (-JJ) when specified.
4. Feet bolted to floor using min. 1/2" diameter bolts and back slots on carrier feet.
5. Back anchor foot required for secure installation. (For single carrier only)

Product Number	Dimensions in inches [mm]						Approximate Weight lb [kg]	Notes
	A	B	D	E	H	N		
Z1204-N4	4 [102]		5 [127]	6-5/8 [168]	5-1/2 [140]	8-7/8 [225]	80 [36]	2" no-hub vent connection regularly furnished on right-hand side. Left hand available when specified (-VL). 2" auxiliary inlet available right (-JR) or left (-JL), or both side(-JJ) when specified
Z1204-ND4	4 [102]	-	5 [127]	6-5/8 [168]	5-1/2 [140]	13-1/4 [337]	134 [61]	
Z1204-INL4	4 [102]	4 [102]	5 [127]	6-5/8 [168]	5-1/2 [140]	8-7/8 [225]	85 [39]	2" no-hub vent located on same side as 3", 4" side inlet 2" no-hub auxiliary inlet located opposite 3", 4" side inlet when specified. (-JL or -JR)
Z1204-INR4								
Z1204-INL43		3 [76]						
Z1204-INR43								
Z1204-IND4	4 [102]	4 [102]	5 [127]	6-5/8 [168]	5-1/2 [140]	13-1/4 [337]	137 [62]	One 4" side inlet as indicated 2" no-hub auxiliary inlet located opposite 4" side inlet when specified
Z1204-IND43		3 [76]						
Z1204-2N4	4 [102]	4 [102]	5 [127]	6-5/8 [168]	5-1/2 [140]	8-7/8 [225]	88 [40]	2" no-hub vent connection regularly furnished on right side. Left-hand available when specified (-VL)
Z1204-2N43		3 [76]						
Z1204-2ND4	4 [102]	4 [102]	5 [127]	6-5/8 [168]	5-1/2"	13-1/4 [337]	139 [63]	Two 3", 4" side inlets as indicated
Z1204-2ND43		3 [76]						



Z1204-N (Single)

\*Regularly furnished unless otherwise specified.

For additional product information, please visit [www.zurn.com](http://www.zurn.com)

Items designated as Best Sellers are most specified and are generally in stock for shipment.

Ⓢ This symbol denotes a product that is engineered to reduce installation and rework time.

For Additional System Tools See "Z1200 Carrier Tools and Accessories" on page 214